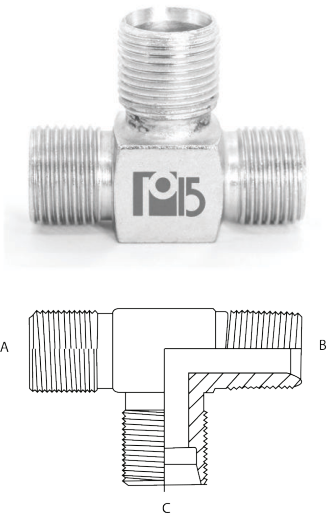
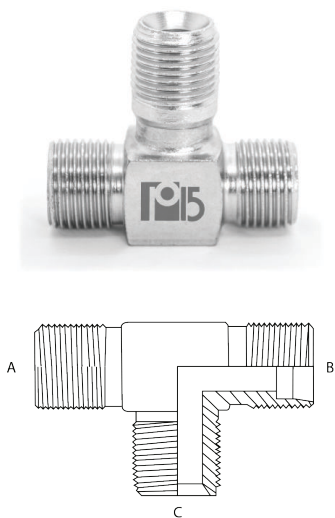


D0611 Tee Rosca Macho UNF Tubo a Rosca Macho NPTF a Rosca Macho UNF Tubo



N° Código	Diámetro exterior (mm)	Tamaño Rosca		
		Rosca "A" UNF	Rosca "B" NPT	Rosca "C" UNF
D0611-02-02-02	1/8"	5/16"-24	1/8"-27	5/16"-24
D0611-03-02-03	3/16"	3/8"-24	1/8"-27	3/8"-24
D0611-04-02-04	1/4"	7/16"-20	1/8"-27	7/16"-20
D0611-05-02-05	5/16"	1/2"-20	1/8"-27	1/2"-20
D0611-06-04-06	3/8"	9/16"-18	1/4"-18	9/16"-18
D0611-08-06-08	1/2"	3/4"-16	3/8"-18	3/4"-16
D0611-10-08-10	5/8"	7/8"-14	1/2"-14	7/8"-14
D0611-12-12-12	3/4"	1 1/16"-12	3/4"-14	1 1/16"-12
D0611-14-12-14	7/8"	1 3/16"-12	3/4"-14	1 3/16"-12
D0611-16-16-16	1"	1 5/16"-12	1"-11 1/2	1 5/16"-12
D0611-20-20-20	1 1/4"	1 5/8"-12	1" 1/4-11 1/2	1 5/8"-12
D0611-24-24-24	1 1/2"	1 7/8"-12	1" 1/2-11 1/2	1 7/8"-12
D0611-32-32-32	2"	2 1/2"-12	2-1/2-12	2 1/2"-12

D0612 Tee Rosca Macho UNF Tubo a Rosca Macho UNF Tubo a Rosca Macho NPTF



N° Código	Diámetro exterior (mm)	Tamaño Rosca		
		Rosca "A" UNF	Rosca "B" UNF	Rosca "C" NPT
D0612-02-02-02	1/8"	5/16"-24	5/16"-24	1/8"-27
D0612-03-03-02	3/16"	3/8"-24	3/8"-24	1/8"-27
D0612-04-04-02	1/4"	7/16"-20	7/16"-20	1/8"-27
D0612-05-05-02	5/16"	1/2"-20	1/2"-20	1/8"-27
D0612-06-06-04	3/8"	9/16"-18	9/16"-18	1/4"-18
D0612-08-08-06	1/2"	3/4"-16	3/4"-16	3/8"-18
D0612-10-10-08	5/8"	7/8"-14	7/8"-14	1/2"-14
D0612-12-12-12	3/4"	1 1/16"-12	1 1/16"-12	3/4"-14
D0612-14-14-12	7/8"	1 3/16"-12	1 3/16"-12	3/4"-14
D0612-16-16-16	1"	1 5/16"-12	1 5/16"-12	1"-11 1/2
D0612-20-20-20	1 1/4"	1 5/8"-12	1 5/8"-12	1 1/4"-11 1/2
D0612-24-24-24	1 1/2"	1 7/8"-12	1 7/8"-12	1 1/2"-11 1/2
D0612-32-32-32	2"	2 1/2"-12	2 1/2"-12	2"-11 1/2