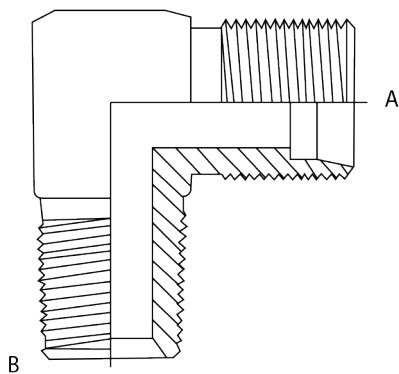


D0626

Codo 90° Rosca Macho UNF Tubo a Rosca Macho BSPT



N° Código	Diámetro Exterior Tubo	Tamaño de Rosca	
		Rosca "A" UNF	Rosca "B" BSPT
D626-02-02	1/8"	5/16"-24h	8"-28h
D626-03-02	3/16"	3/8"-24h	1/8"-28h
D626-04-02	1/4"	7/16"-20h	1/8"-28h
D626-04-04	1/4"	7/16"-20h	1/4"-19h
D626-04-06	1/4"	7/16"-20h	3/8"-19h
D626-05-02	5/16"	1/2"-20h	1/8"-28h
D626-05-04	5/16"	1/2"-20h	1/4"-19h
D626-06-02	3/8"	9/16"-18h	1/8"-28h
D626-06-04	3/8"	9/16"-18h	1/4"-19h
D626-06-06	3/8"	9/16"-18h	3/8"-19h
D626-06-08	3/8"	9/16"-18h	1/2"-14h
D626-08-04	1/2"	3/4"-16h	1/4"-19h
D626-08-06	1/2"	3/4"-16h	3/8"-19h
D626-08-08	1/2"	3/4"-16h	1/2"-14h
D626-08-12	1/2"	3/4"-16h	3/4"-14h
D626-10-06	5/8"	7/8"-14h	3/8"-19h
D626-10-08	5/8"	7/8"-14h	1/2"-14h
D626-10-12	5/8"	7/8"-14h	3/4"-14h
D626-12-08	3/4"	1 1/16"-12h	1/2"-14h
D626-12-12	3/4"	1 1/16"-12h	3/4"-14h
D626-14-12	7/8"	1 3/16"-12h	3/4"-14h
D626-14-16	7/8"	1 3/16"-12h	1"-11h
D626-16-12	1"	1 5/16"-12h	3/4"-14h
D626-16-16	1"	1 5/16"-12h	1"-11h
D626-20-16	1 1/4"	1 5/8"-12h	1"-11h
D626-20-20	1 1/4"	1 5/8"-12h	1 1/4"-11h
D626-24-24	1 1/2"	1 7/8"-12h	1 1/2"-11h
D626-32-32	2"	2 1/2"-12h	2"-11h